

# SCANGRIP WHEEL STAND

03.5433



## BRACKET TYPE

Bracket type 1

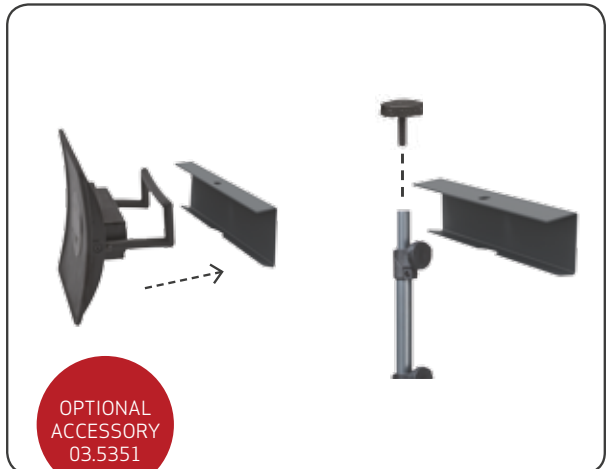
Bracket type 2



## MOUNTING ON A WHEEL STAND

Bracket type 1

Bracket type 2



# Optional accessory

DUAL BRACKET  
Item no. **03.5308**



## MOUNTING ON DUAL BRACKET

Bracket type 1



Bracket type 2

